

ML2012 SERIES – Multilayer Chip Inductors

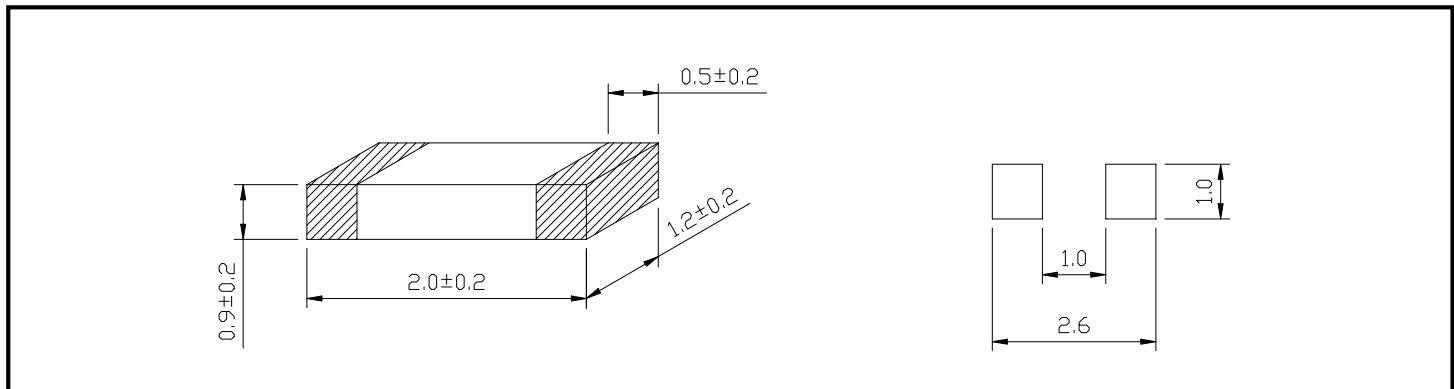


PART NUMBERING SYSTEM

ML	2012	—	R68K	—	LF
TYPE	DIMENSIONS		INDUCTANCE		LEAD FREE

SHAPES AND DIMENSIONS

UNIT : mm



ML2012 SERIES – Multilayer Chip Inductors

SPECIFICATION TABLE

PART NUMBER	INDUCTANCE (μ H)	Q. MIN.	L, Q TEST FREQUENCY (MHz)	SRF (MHz) MIN.	DCR (Ω) (Max)	IDC(mA) (Max)
ML2012-47NM-LF	0.047±20%	15	50	320	0.20	300
ML2012-68NM-LF	0.068±20%	15	50	280	0.20	300
ML2012-82NM-LF	0.082±20%	15	50	255	0.20	300
ML2012-R10K-LF	0.10±10%	20	25	235	0.30	250
ML2012-R12K-LF	0.12±10%	20	25	220	0.30	250
ML2012-R15K-LF	0.15±10%	20	25	200	0.40	250
ML2012-R18K-LF	0.18±10%	20	25	185	0.40	250
ML2012-R22K-LF	0.22±10%	20	25	170	0.50	250
ML2012-R27K-LF	0.27±10%	20	25	150	0.50	250



ML2012 SERIES – Multilayer Chip Inductors



SPECIFICATION TABLE

PART NUMBER	INDUCTANCE (μ H)	Q. MIN.	L, Q TEST FREQUENCY (MHz)	SRF (MHz) MIN.	DCR (Ω) (Max)	IDC(mA) (Max)
ML2012-R33K-LF	0.33 \pm 10%	20	25	145	0.55	250
ML2012-R39K-LF	0.39 \pm 10%	25	25	135	0.65	200
ML2012-R47K-LF	0.47 \pm 10%	25	25	125	0.65	200
ML2012-R56K-LF	0.56 \pm 10%	25	25	115	0.75	150
ML2012-R68K-LF	0.68 \pm 10%	25	25	105	0.80	150
ML2012-R82K-LF	0.82 \pm 10%	25	25	100	1.00	150
ML2012-1R0K-LF	1.0 \pm 10%	45	10	75	0.40	50
ML2012-1R2K-LF	1.2 \pm 10%	45	10	65	0.50	50
ML2012-1R5K-LF	1.5 \pm 10%	45	10	60	0.50	50
ML2012-1R8K-LF	1.8 \pm 10%	45	10	55	0.60	50
ML2012-2R2K-LF	2.2 \pm 10%	45	10	50	0.65	30
ML2012-2R7K-LF	2.7 \pm 10%	45	10	45	0.75	30
ML2012-3R3K-LF	3.3 \pm 10%	45	10	41	0.80	30
ML2012-3R9K-LF	3.9 \pm 10%	45	10	38	0.90	30
ML2012-4R7K-LF	4.7 \pm 10%	45	10	35	1.00	15
ML2012-5R6K-LF	5.6 \pm 10%	50	4	32	0.90	15
ML2012-6R8K-LF	6.8 \pm 10%	50	4	29	1.00	15
ML2012-8R2K-LF	8.2 \pm 10%	50	4	26	1.10	15
ML2012-100K-LF	10 \pm 10%	50	2	24	1.15	15
ML2012-120K-LF	12 \pm 10%	50	2	22	1.25	15
ML2012-150K-LF	15 \pm 10%	30	1	19	0.80	5
ML2012-180K-LF	18 \pm 10%	30	1	18	0.90	5
ML2012-220K-LF	22 \pm 10%	30	1	16	1.10	5
ML2012-270K-LF	27 \pm 10%	30	1	14	1.15	5
ML2012-330K-LF	33 \pm 10%	30	0.4	13	1.25	5

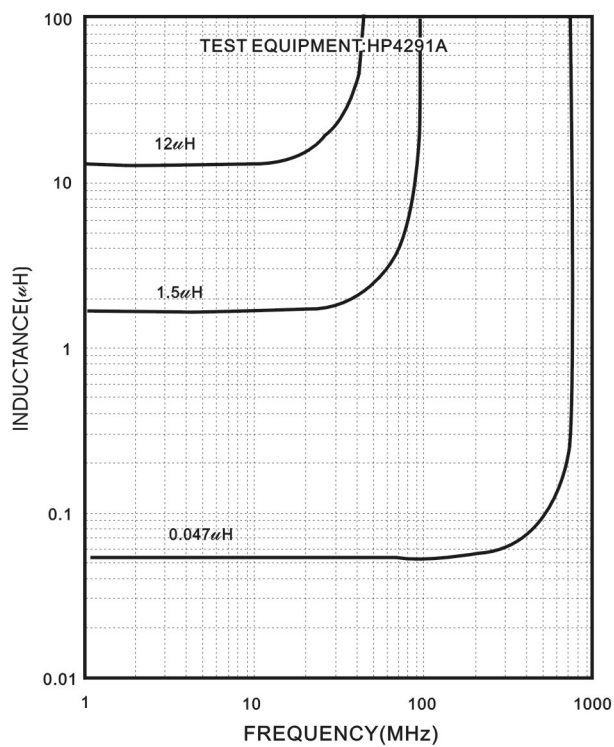
INDUTANCE TOLERANCE : (K= \pm 10%, M= \pm 20%)



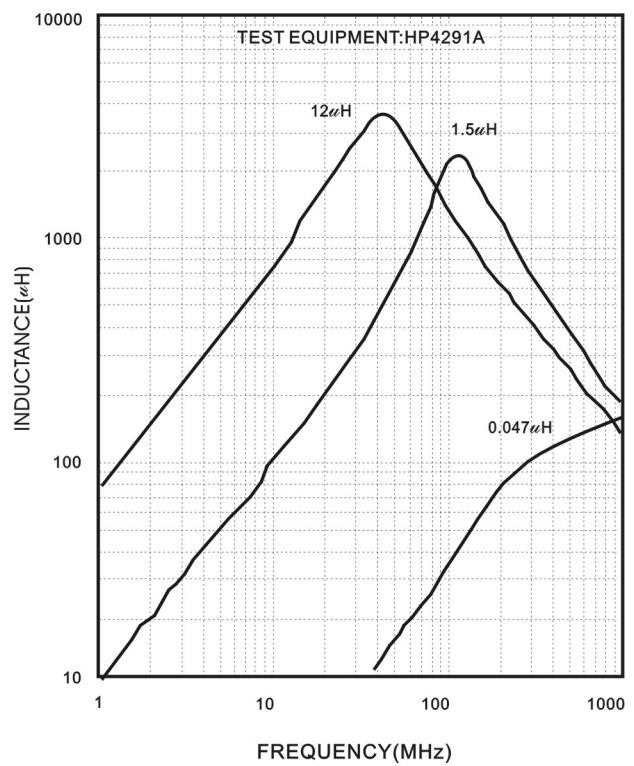
ML2012 SERIES – Multilayer Chip Inductors



INDUCANCE vs. FREQUENCY
CHARACTERISTICS



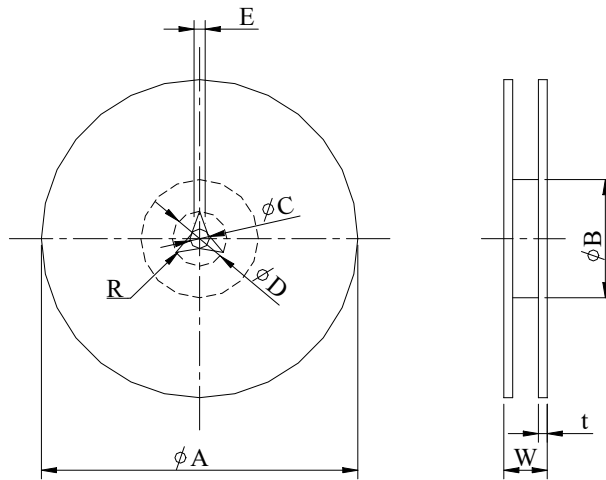
INDUCANCE vs. FREQUENCY
CHARACTERISTICS



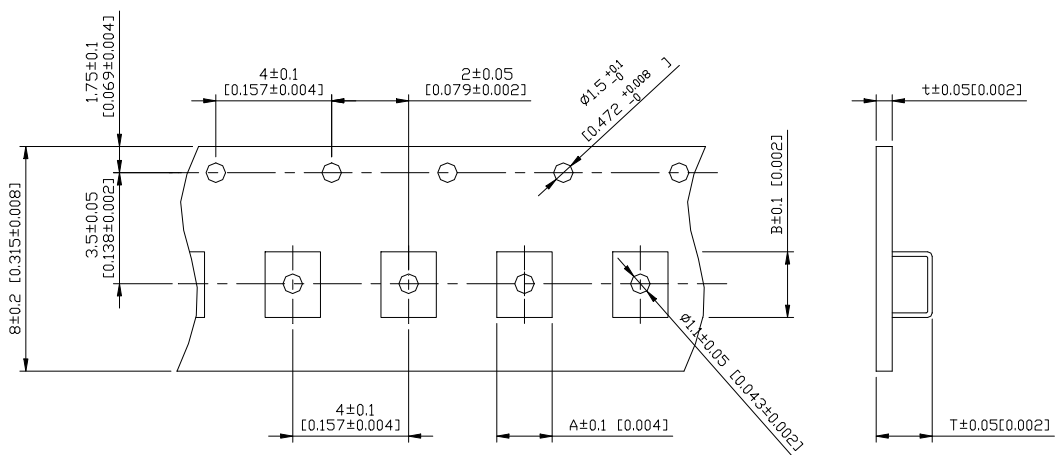
ML2012 SERIES – Multilayer Chip Inductors



PACKAGING SPECIFICATION



	A	B	C	D	E	W8	W12	t	R
T($\psi 178\text{mm}$) Reel	$\psi 178 \pm 2$	$\psi 60 \pm 1$	$\psi 13 \pm 0.8$	$\psi 21 \pm 0.8$	2	10 ± 1.5	14.5 ± 1.5	1.27 ± 0.2	1



TYPE	A	B	T	t	T($\psi 178\text{mm}$)	T($\psi 330\text{mm}$)
ML2012	1.55	2.30	1.20	0.2	4000 pcs/reel	-